
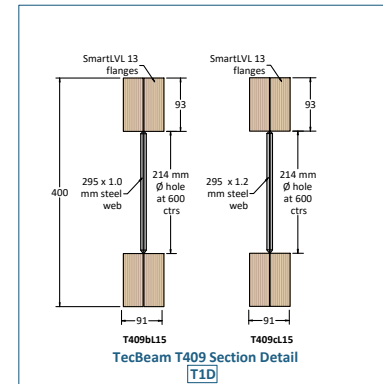
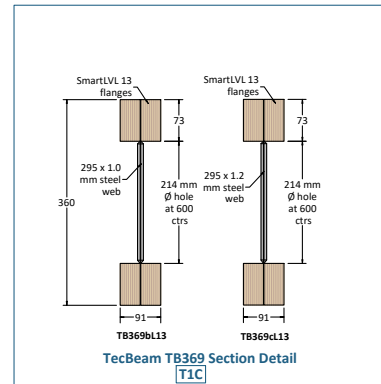
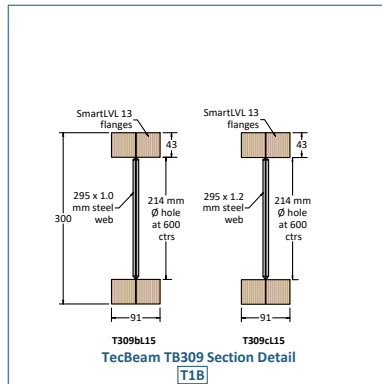
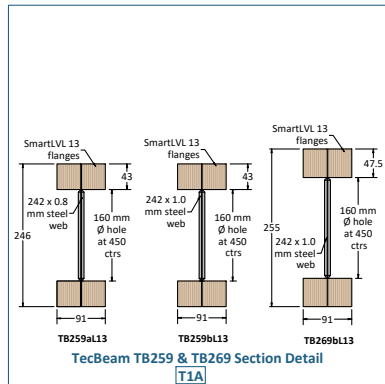


TECBEAM FLOOR/ROOF DETAILS

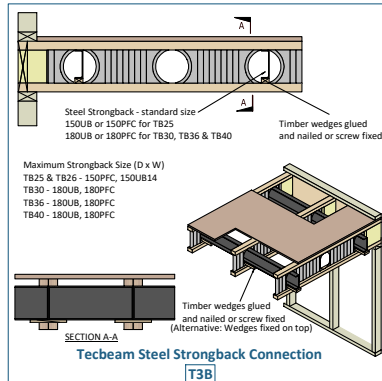
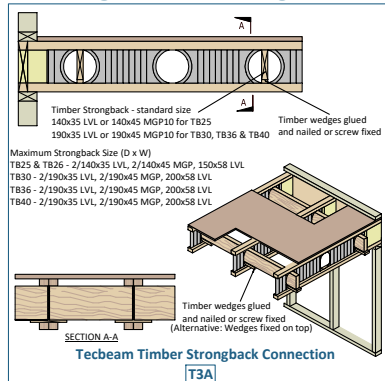


| | | |
|--|--|---|
| <p>TecBeam Section Details</p> <p>T1A T1B T1C T1D <small>TB25 TB30 TB36 TB40</small> & TB26</p> <p>Strongback Fixing Details</p> <p>T3A T3B <small>Timber Steel</small></p> <p>Flat Roof Framing & Box-Gutter</p> <p>T5A T5B <small>Flat Roof Box-Gutter</small> Framing</p> <p>TecBeam To Timber Beam Details</p> <p>T8A T8B T8C T8D T8E T8F <small>FM Inverted With Web With LVSIA LVSIA FM Stiffener Strap 300</small></p> <p>TecBeam Check Into Steel Details</p> <p>T10A</p> <p>Multiple TecBeams Laminataion Details</p> <p>T13A T13B T13C T13D <small>UDL PL Int. Wall Ext. Wall</small></p> | <p>Tapered End Details</p> <p>T2A T2B T2C T2D T2E T2F T2G T2H T2I T2J T2K T2L <small>TB25 & TB26 TB30 TB36 TB40</small></p> <p>Load Bearing Strongback Details</p> <p>T3C T3D <small>Non-Cantilevered Cantilevered Strongback Strongback</small></p> <p>End Blocking Details</p> <p>T6A T6B T6C T6D <small>Solid SmartJoist Solid SmartRim Rimjoist</small></p> <p>TB To UB/UC Steel With Bracket</p> <p>T9A T9B T9C T9D T9E T9F <small>FM FM FM TM FM TM UB UB UC TM Strap</small></p> <p>Timber Beam To TecBeam Details</p> <p>T11A T11B <small>Single Double TecBeam TecBeams</small></p> | <p>Cantilevered TecBeam Details</p> <p>T4A T4B T4C <small>Cantilevered With Extension Reinforced TecBeam LVL/Pine Joist</small></p> <p>Blockwall Support Details</p> <p>T7A T7B T7C <small>Hanger EA Full Bear</small></p> <p>TB To PFC Steel With Bracket</p> <p>T9G T9H T9I <small>FM TM FM Front Back</small></p> <p>Web-Stiffener Details</p> <p>T12A T12B <small>Over Under PL Support or Wall</small></p> |
|--|--|---|

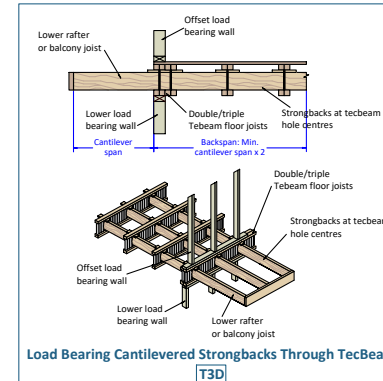
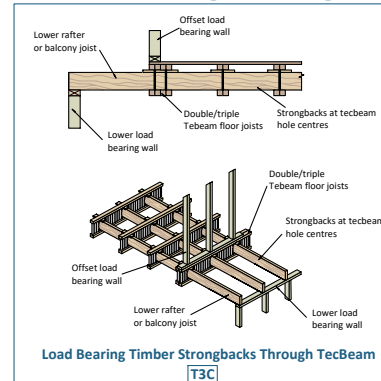
TecBeam Section Details



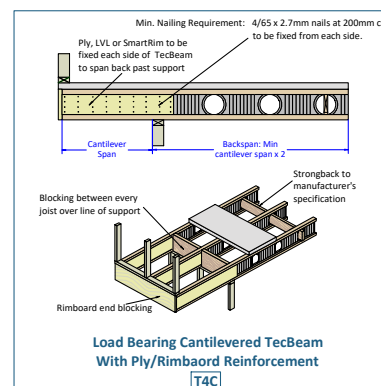
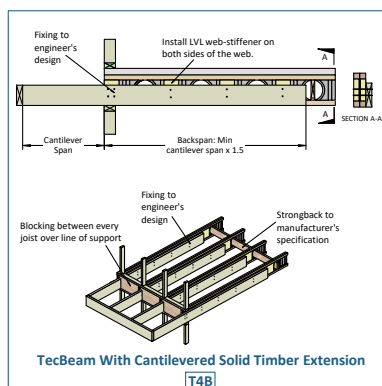
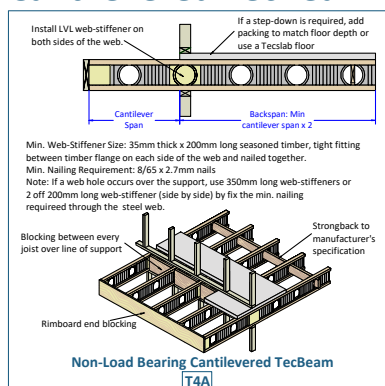
Strongback Fixing Details



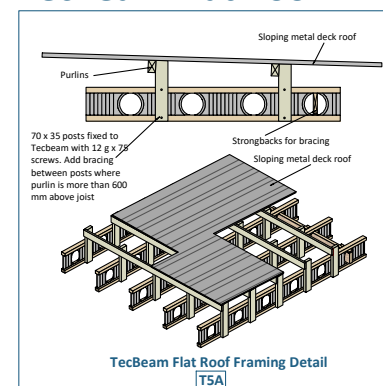
Load Bearing Strongback



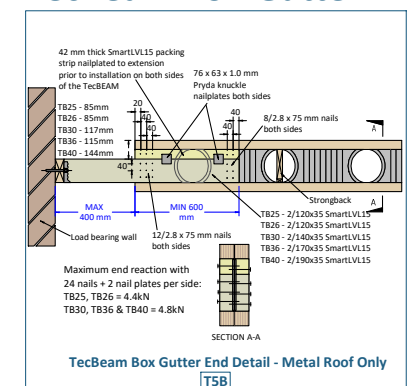
Cantilevered TecBeam



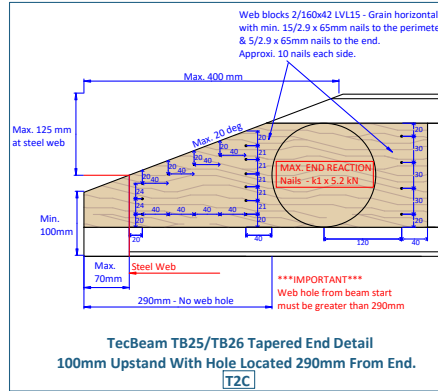
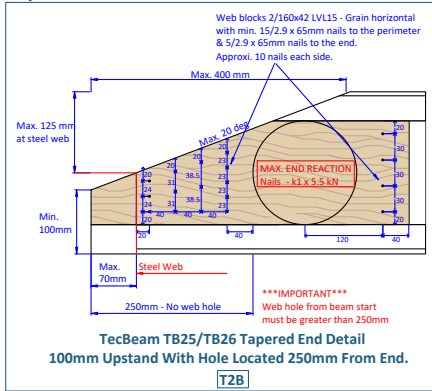
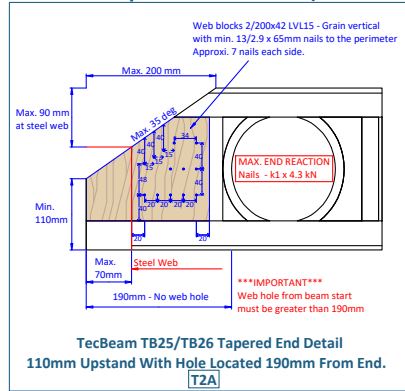
TecBeam Flat Roof



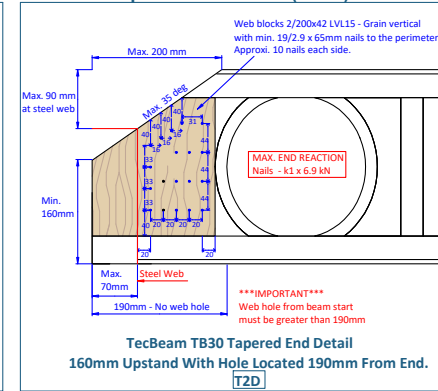
TecBeam Box-Gutter



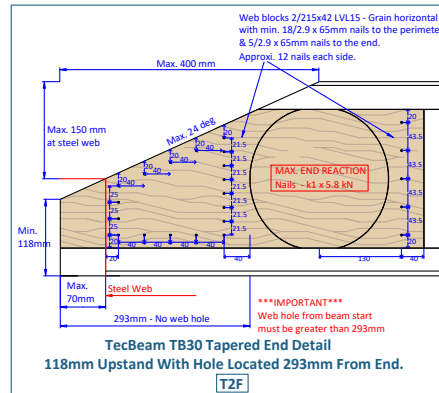
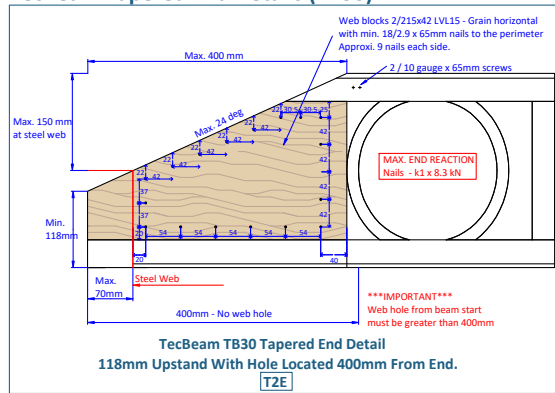
TecBeam Tapered End Details (TB25 & TB26)



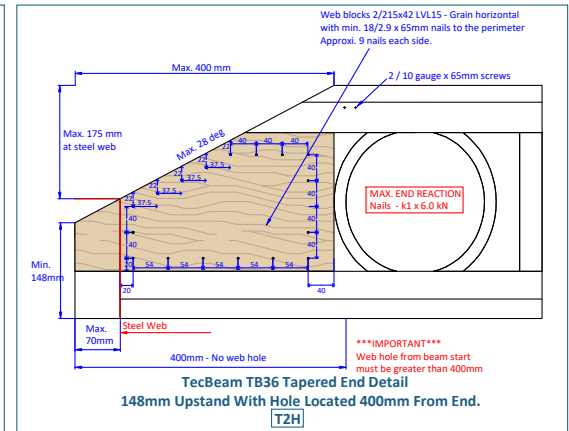
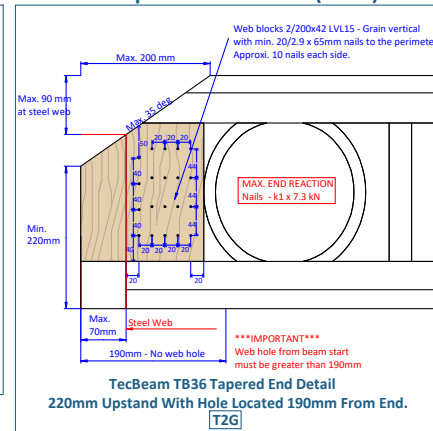
TecBeam Tapered End Details (TB30)



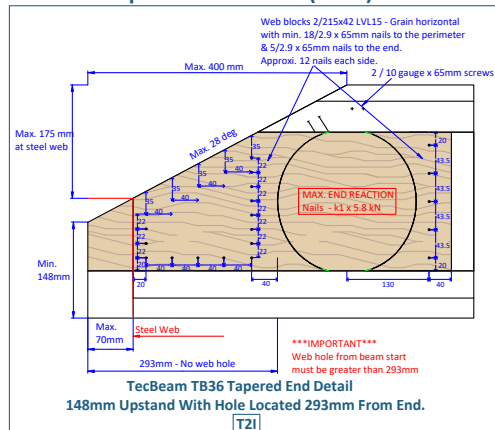
TecBeam Tapered End Details (TB30)



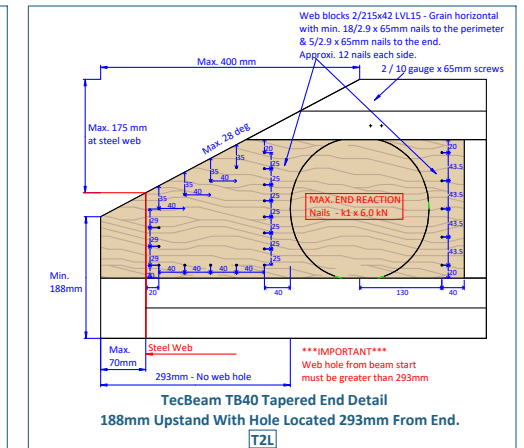
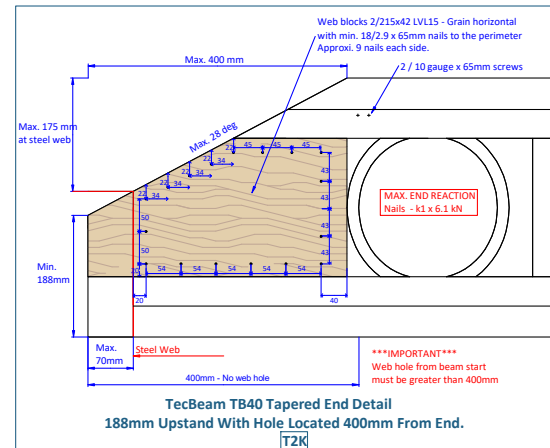
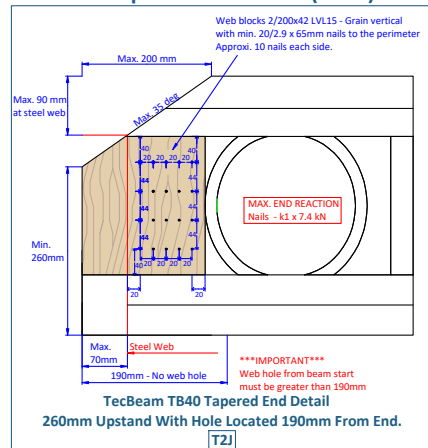
TecBeam Tapered End Details (TB36)



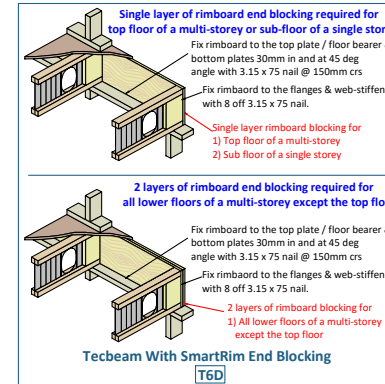
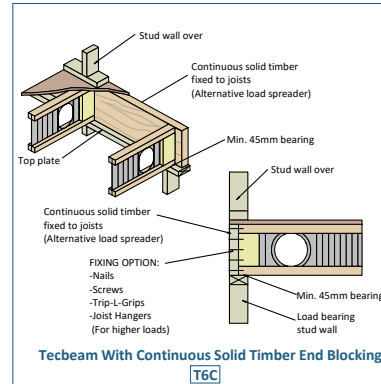
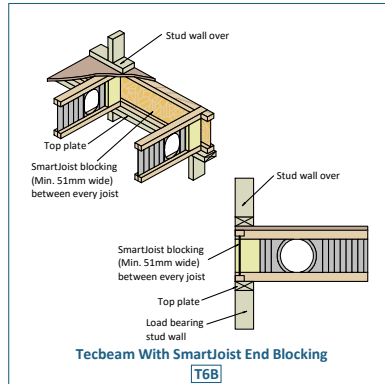
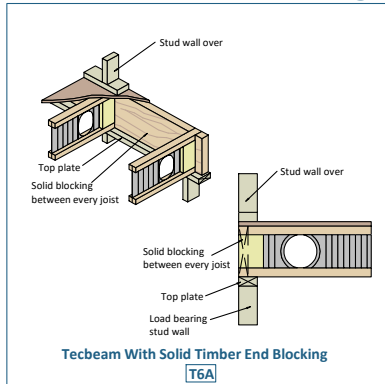
TecBeam Tapered End Details (TB36)



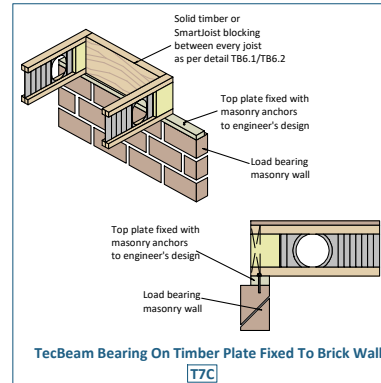
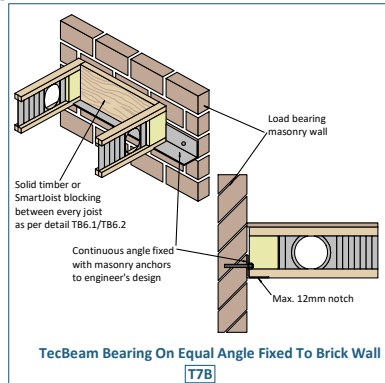
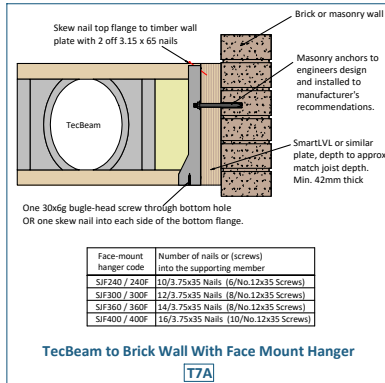
TecBeam Tapered End Details (TB40)



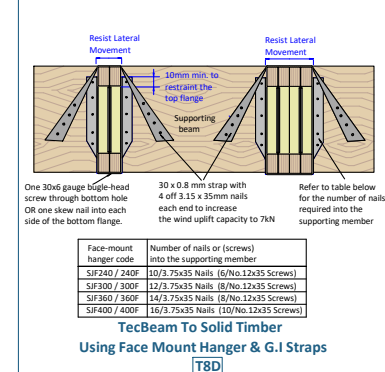
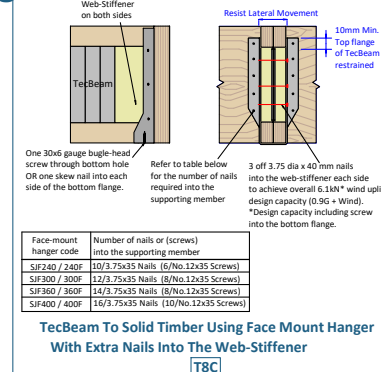
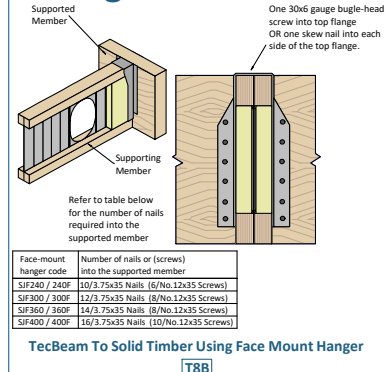
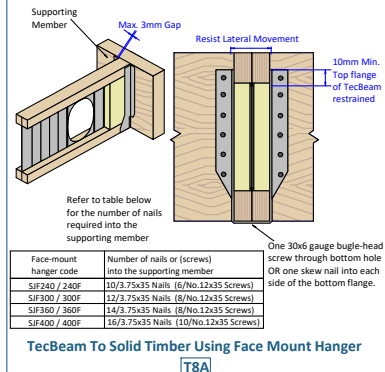
TecBeam End Blocking Details



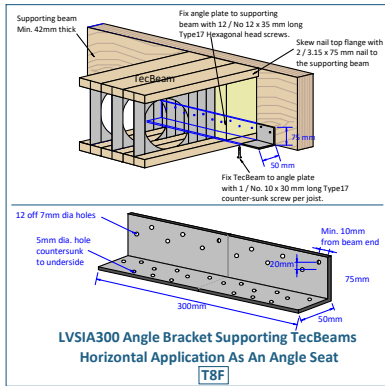
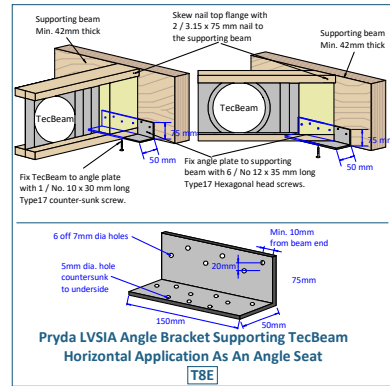
TecBeam Block Wall Support Details



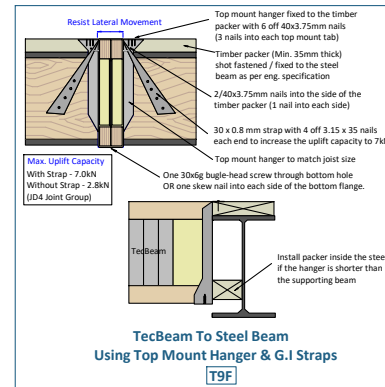
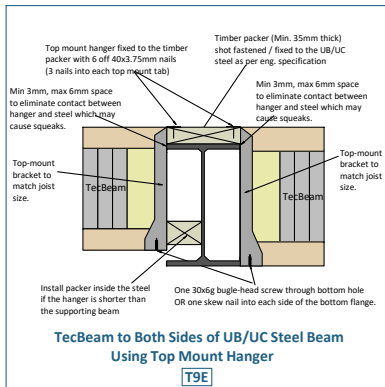
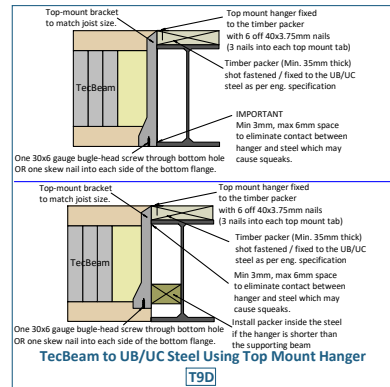
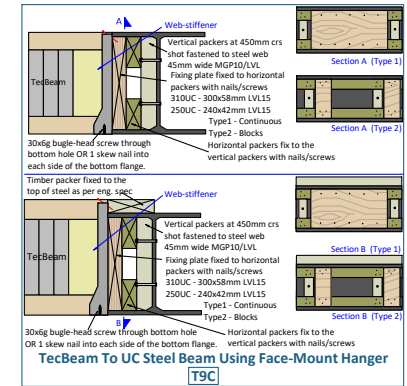
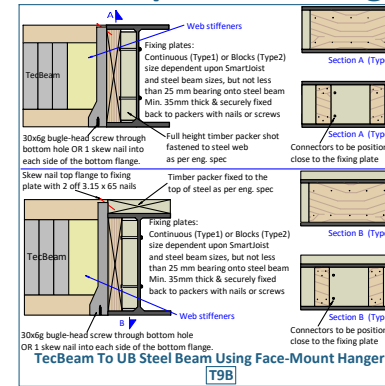
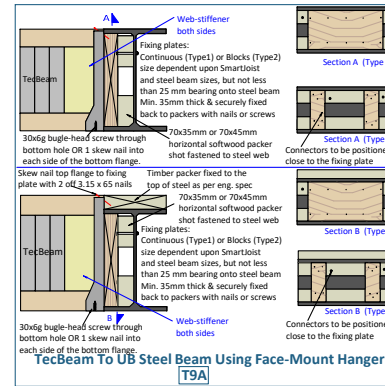
TecBeam To Timber Beam Using Face-Mount Hanger



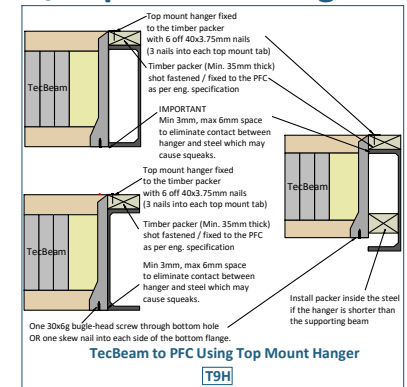
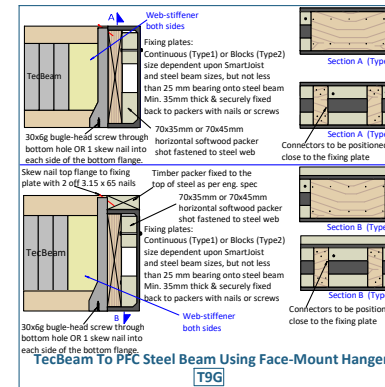
TecBeam To Timber Beam With LV5IA/LVSIA300



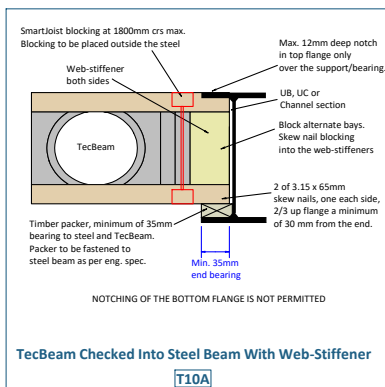
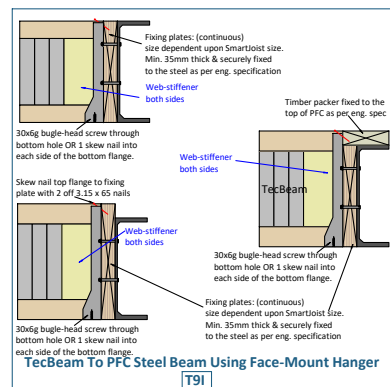
TecBeam to UB/UC Steel Face/Top Mount Hanger



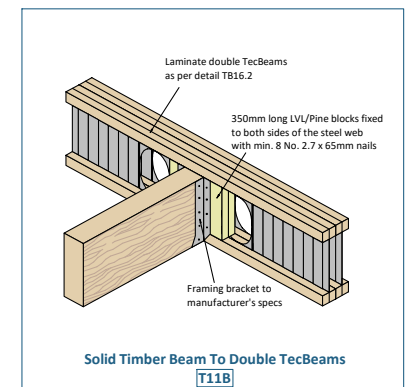
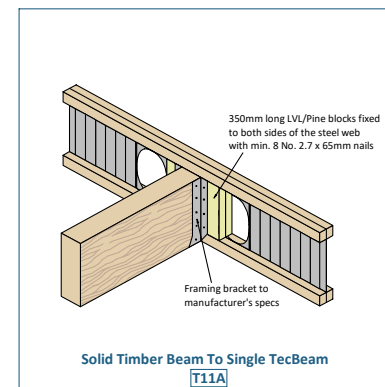
TecBeam to PFC Steel Face/Top Mount Hanger



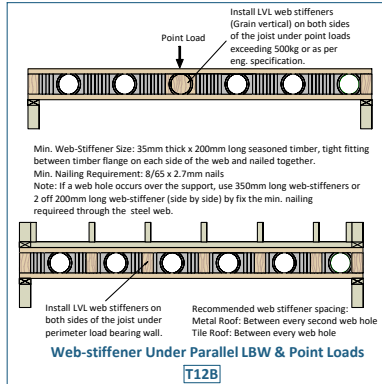
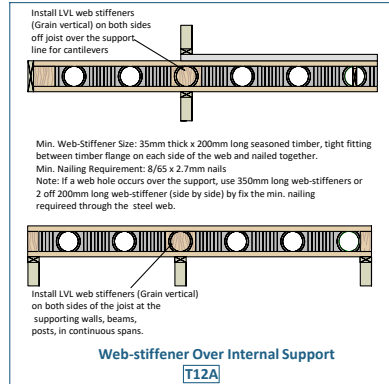
TecBeam Into Steel



Solid Timber Beam To TecBeam



Web Stiffeners (Over Support & Under PL/LBW)



Multiple TecBeams Lamination

